

Rackmount Modular LFP Batteries for 48V Applications

E24™

P362E



Rackmount Modular LFP Batteries for 48V Application in 2.4KWh, 3.55KWh, 4.8KWh and 7.2 KWh models

E24 Offers modular Rackmount lithium Iron (LFP) battery modules that can be installed either indoor or outdoor in adapted battery cabinets .

Up to 16 Battery modules can be placed in parallell to reach the designed energy storage capacity. A Larger capacity can be reached by using a battery hub.

These battery modules can only be used for 48V applications therefore batteries modules cannot be placed in series.

Rackmount Modular LFP Batteries for 48V Applications

E24 Offers modular Rackmount lithium Iron (LFP) battery modules that can be installed either indoor or outdoor in adapted battery cabinets .

Up to 16 Battery modules can be placed in parallel to reach the desired energy storage capacity without any further equipment. A Larger capacity can be reached by using a hub (LFP48L-RM-HUB).

These battery modules can only be used for 48V applications therefore batteries modules cannot be placed in series.

Four models are available: 2.4KWh, 3.55KWh, 4.8KWh and 7.2KWh.

- **Compatible with any Tier one inverter brand**
- **Multiple layer of protection through high end BMS**
- **Easy to scale up by simply adding modules**
- **Very Long Life: 15 to 20 years life expectancy (up to 6000 cycles at 80% Depth of Discharge)**
- **Super compact**
- **Easy installation (Plug and Play)**
- **comprehensive communication ports (CAN, RS485, Dry Contacts)**



Technical Specifications

48Vdc Module Specifications

Reference:	LFP48L-RM-2K40	LFP48L-RM-3K55	LFP48L-RM-4K80	LFP48L-RM-7K20
Number of LFP Cells	15			
Cells Voltage & Capacity (Vdc, Ah)	3.2V, 50Ah	3.2V, 74Ah	3.2V, 100Ah	3.2V, 150Ah
Module Voltage, Capacity (Vdc, KWh)	48 Vdc, 2.4 Kwh	48 Vdc, 3.55 Kwh	48 Vdc, 4.8 Kwh	48 Vdc, 7.2 Kwh
Module Voltage Range (Vdc)	43.5 to 54			
Design number of Cycles	10,000 @ 50% DOD; 6,000@ 90% DOD			
Communication	RS485, CAN, Dry Contacts			
Efficiency at 0.5C Rate of Discharge	96%			
Maximum Depth of Discharge (DOD)	95%			
Dimensions (WxDxH) (mm)	442 x 410 x 89	442 x 420 x 132	442 x 420 x 165	442 x 600 x 165
Weight (Kg)	24	32	40	60
Index of Protection	IP21			
Design Life (Years)	15+			
Operating Temperature (°C)	+0 to + 50			
Storage Temperature (°C)	-20 to + 60			
Humidity (%)	5 to 95			
Altitude (m)	2000			
Certifications	VDE2510-50 IEC62619/CE/UN38.3			
Warranty	10 Years PR(+)			

(*) Refer to Terms and Conditions



Battery Hub LFP48L-RM-HUB

It is possible to connect more than 16 Modules in parallel, through the use of LFP48L-RM-HUB.

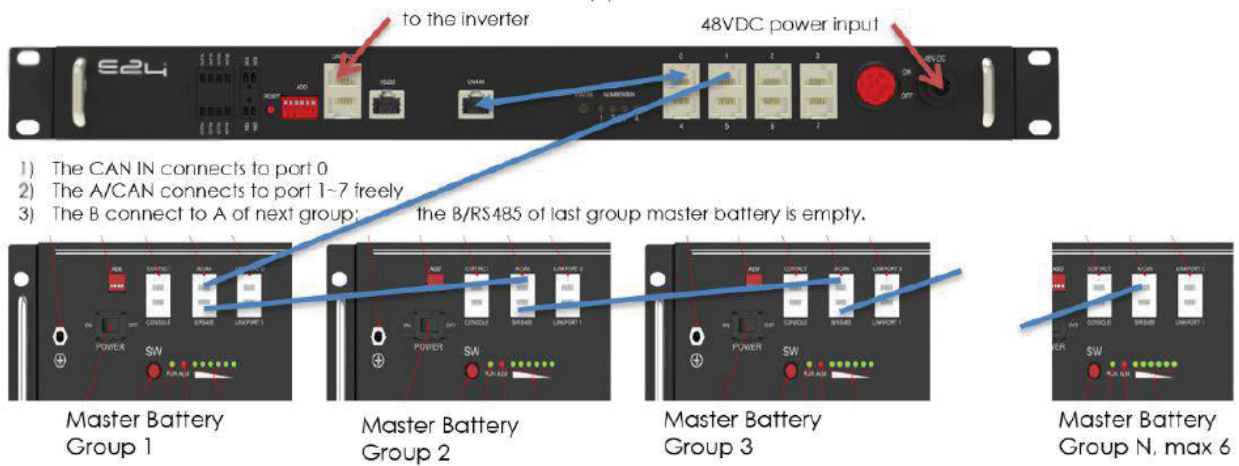
Up to 6 piles (16 modules per pile) can be connected in parallel to reach up to 96 modules (refer to the drawing below).



LFP48L-RM-HUB

Multiple Battery Groups CAN Communication Cable Connection

Each Communication HUB connects maximum 6 battery piles.



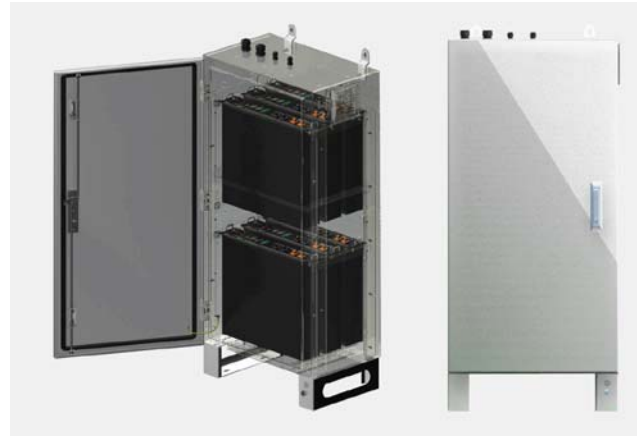
Indoor Battery Cabinet: LFP-INCAB

E24 Offers an indoor battery cabinet that can house up to 6 x LFP48L-RM-2K40, 4 x LFP48L-RM-3K55 or 3 x LFP48L-RM-4K80. Contact us for your requirements for LFP48L-RM-7K2.



Outdoor Cabinet: LFP-OUTCAB

E24 Offers an indoor battery cabinet that can house up to 6 x LFP48L-RM-2K40, 4 x LFP48L-RM-3K55 or 3 x LFP48L-RM-4K80. Contact us for your requirements for LFP48L-RM-7K2.



Module Brackets: LFP-BRKT

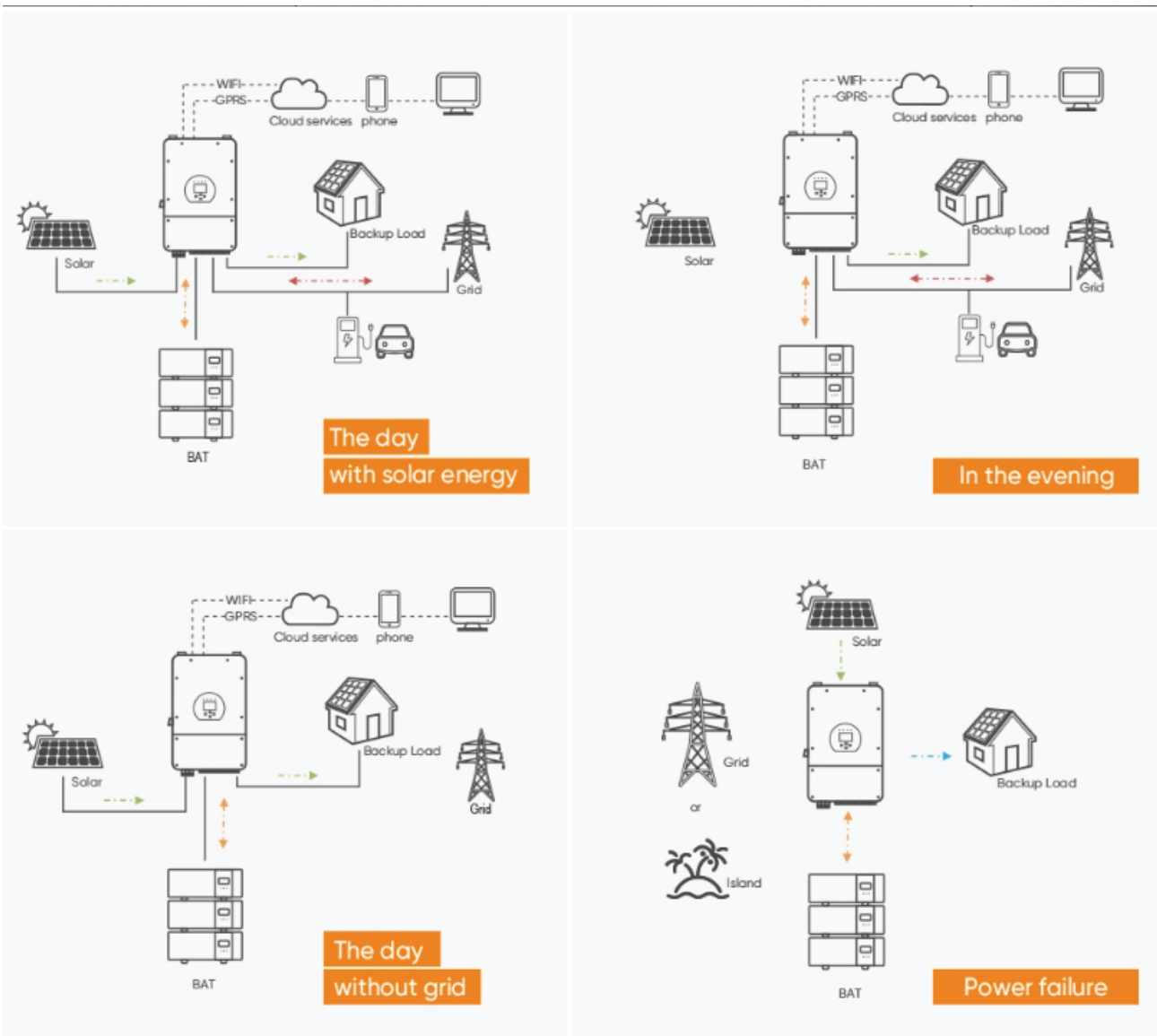
When using 2, 3 or 4 Battery modules, it is possible to use module brackets as detailed below.



Applications

E24 LFB battery modules can be used with E24 Inverters operating on 51.2 or 48Vdc. They are also compatible with most Tier 1 brands of inverters on the market.

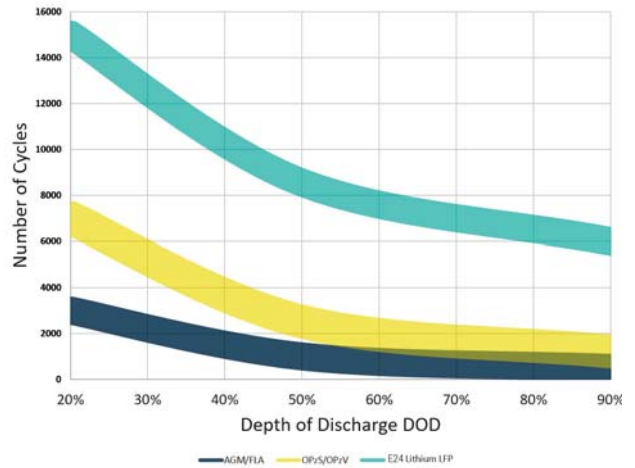
E24 48V Battery modules can be used with mono-directional inverters and bidirectional inverters. Typical applications are outlined below.



Outstanding LFP Cells Quality

E24 collaborates with the worlds leading LFP cells manufacturers through a proven screening and quality control process to offer the highest quality LFP batteries possible.

E24 batteries deliver more than 9,000 cycles at 50%DOD and well beyond 6000 cycles at 90% DOD under a 10 Year warranty program.



10-Year Field Warranty

E24 Offers the longest warranty on LFP batteries in the industry.

With 10-Year warranty (Refer to E24 Terms and conditions), E24 offers the most solid warranty on LFP batteries on the market.

Remote Monitoring & After-Sales Service

E24 Offers a range of after-sales service in partnership with its and service partners

As part of E24 service offering, E24 offers remote monitoring service agreements to monitor clients assets and notify of any abnormality. The Remote monitoring serives is a remote prevent maintenance contract that would detect in a very early stage any system malfunction and recomande the corrective measures. E24 offers further after sales services to properly maintain client's assets.

International Quality Certifications

E24 lithium Iron (LFP) battery assemblies and containers follow stringent quality control and have obtained the needed certifications to be installed on international markets.



UL 1973

IEC 62619

UL 9540A



IEC 63056

VDE



Other Products from E24



Fuel Savers



PCS



String Inverters



Solar Structures

E24 Modular Range Of Products For Building Easy, Flexible & Evolutive Solutions

E24 products dynamically evolve with the lifestyle and work style of its customers while easing the installation process.

E24 products are conceived in modules allowing for an easy upgrade to adjust with the needs of the customers. Being modular and easy to connect E24 products allow installers to easily configure the required modules for an optimal solution while offering upgrade options.



Compatibility with Other Brands

E24 LFP battery modules are fully compatible with all E24 inverters as well as inverters from the following brands:



Ordering Information

Ref Number	Description
LFP48L-RM-2K40	LV Lit battery RM Module, 48Vdc, 2.4KWh, Max 16 units in parallel
LFP48L-RM-3K55	LV Lit battery RM Module, 48Vdc, 3.55KWh, Max 16 units in parallel
LFP48L-RM-4K80	LV Lit battery RM Module, 48Vdc, 4.8KWh, Max 16 units in parallel
LFP48L-RM-7K20	LV Lit battery RM Module, 48Vdc, 7.2KWh, Max 16 units in parallel
LFP48L-RM-HUB	LV Lithium Battery RM Hub for up to 6 x 48V battery strings (16 batteries per String), Max 5 hubs in parallel
LFP-BRKT	Lithium Battery bracket for LFP48L battery racks
LFP-INCAB	Indoor Cabinet for LFP48L Lithium Battery Racks
LFP-OUTCAB	Outdoor Battery Cabinet for LFP48L Lithium Battery Racks

E24®

www.e24solutions.com



ISO 9001:2015



QUALITY STANDARD

